

INSTALLATION INSTRUCTIONS

SPLINED ADAPTER MOUNT, GLOSS BLACK

8867

THANK YOU FOR CHOOSING KURYAKYN!

Protect yourself and others from possible injury and property damage or loss. Pay close attention to all instructions, warnings, cautions, and notices regarding the installation, use, and care of this product.

WARNING THIS INDICATION ALERTS YOU TO THE FACT THAT IGNORING THE CONTENTS DESCRIBED HEREIN CAN RESULT IN POTENTIAL DEATH OR SERIOUS INJURY.

CAUTION THIS INDICATION ALERTS YOU TO THE FACT THAT IGNORING THE CONTENTS DESCRIBED HEREIN CAN RESULT IN MINOR OR MODERATE POTENTIAL INJURY.

NOTICE THIS INDICATION ALERTS YOU TO THE FACT THAT IGNORING THE CONTENTS DESCRIBED HEREIN MAY NEGATIVELY AFFECT PRODUCT PERFORMANCE AND FUNCTIONALITY OR DAMAGE THE PRODUCT ITSELF OR THE PRODUCT TO WHICH IT IS BEING ATTACHED.

ENSURE THAT THE FOLLOWING PARTS HAVE BEEN INCLUDED IN THE KIT:

2	Splined Adapter Mounts	1	Hardware Kit
		2	D Spring Washers
		2	10-32 x 1" Set Screw

YOU WILL ALSO NEED:

Set of Hex Wrenches and Needle-Nose Pliers

PICTURES SHOWN ARE OF THE CHROME PARTS. INSTALLATION OF THE BLACK PARTS WILL BE THE SAME.

NOTICE THESE INSTALLATION INSTRUCTIONS CONTAIN IMPORTANT INFORMATION. ENSURE THE END USER RECEIVES THIS COPY AND IS AWARE OF ITS IMPORTANCE FOR FUTURE USE.

STEP 1 Park the motorcycle on a hard, level surface; turn off the ignition and allow the engine to cool.

WARNING YOU WILL BE WORKING AROUND THE ENGINE AND EXHAUST SYSTEM DURING INSTALLATION. ENSURE THAT THE ENGINE AND EXHAUST SYSTEM HAVE FULLY COOLED TO PREVENT INJURY.

STEP 2 Remove the hardware securing the footpeg to the footpeg mount; set it aside, it will be re-used.

STEP 3 Remove the existing footpegs from the mounts and set them aside, they will not be re-used.

NOTE The setscrew is not needed if a folding peg mount is desired

STEP 4 For Folding Floorboards that require a solid mount: Thread a #10-32 x 1 SSS into the upper hole in the Adapter mount as shown in Pic. 1. Install flush with the back of the adapter.

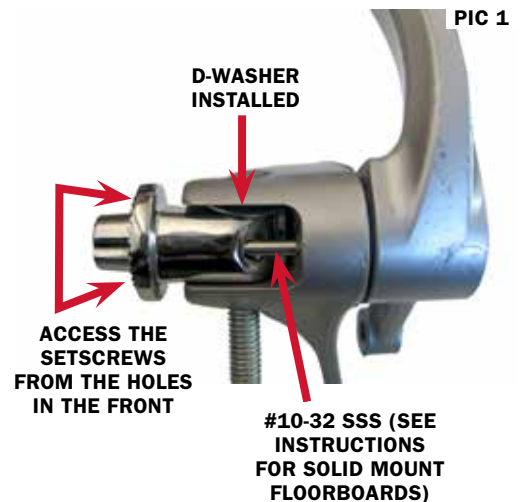
NOTE The two (2) "D" Spring Washers have been included to take up excessive freeplay and add tension for folding pegs in the "up position". They will not be necessary in some instances. Install the "D" Spring Washers on either side of the Splined Adapter Mount with the flat end of the "D" facing inboard.

STEP 5 Install the Adapter Mount in the footpeg or floorboard mount on the motorcycle using the hardware removed in Step 2.

NOTE The setscrew is not needed if a folding peg mount is desired

STEP 6 For folding floorboards that require a solid mount: Insert the correct size hex wrench through the top hole in the splined face of the Adapter Mount and turn the setscrews clockwise until they contact the footpeg mount on the motorcycle. This will "lock" the Adapter Mount in place against the footpeg mount on the motorcycle

STEP 7 Install the new footpeg or floorboards on the Adapter Mount. Refer to the instructions included with the new footpegs for more information.



INSTALLATION INSTRUCTIONS

SPLINED ADAPTER MOUNT, GLOSS BLACK

8867

-CONTINUED-

STEP 8 Repeat Steps 1 through 7 for the other side

NOTICE

IT IS THE INSTALLER'S RESPONSIBILITY TO ENSURE THAT ALL OF THE FASTENERS (INCLUDING PRE-ASSEMBLED) ARE TIGHTENED BEFORE OPERATION OF THE MOTORCYCLE. KURYAKYN WILL NOT WARRANTY COMPONENTS LOST DUE TO IMPROPER INSTALLATION. PERIODIC MAINTENANCE MAY BE REQUIRED.

CAUTION

ENSURE THAT THE INSTALLATION OF THIS PRODUCT DOES NOT INTERFERE WITH THE PROPER OPERATION OF THE MOTORCYCLE BEFORE RIDING.

WARNING

IMPROPER INSTALLATION OR USE OF THIS PRODUCT COULD RESULT IN SERIOUS INJURY OR DEATH.

LIMITED WARRANTY

Kuryakyn warrants that any Kuryakyn products sold hereunder, shall be free of defects in materials & workmanship for a period of one (1) year from the date of purchase by the consumer excepting the following provisions:

1. Kuryakyn shall have no obligation in the event the customer is unable to provide a receipt showing the date the customer purchased the product(s).
2. The product must be properly installed, maintained & operated under normal conditions.
3. Kuryakyn shall not be liable for any consequential & incidental damages, including labor & paint, resulting from failure of a Kuryakyn product, failure to deliver, delay in delivery, delivery in nonconforming condition, or for any breach of contract or duty between Kuryakyn & a customer.
4. Kuryakyn products are often intended for use in specific applications. Kuryakyn makes no warranty if a Kuryakyn product is used in applications other than intended.
5. Kuryakyn electrical products are warranted for one (1) year from the date of purchase by the consumer. L.E.D.'s contained in components of Kuryakyn products will be warranted for defects in materials & workmanship for 3 years from the date of purchase whereas all other components shall be warranted for one (1) year.
6. All warranty claims must be directed to the place of purchase. Merchandise sold through internet auction sites or any other unauthorized reseller shall not carry a Kuryakyn warranty. If unsure, please contact the place of purchase to verify they are an authorized Kuryakyn reseller.

RETURN POLICY

Merchandise determined to be defective may be returned up to one year from the date of purchase. Returns must be processed through original seller. Returned merchandise for any other reason other than warranty claims must be in like new condition & subject to a 20% restocking fee. All returns are subject to inspection for determination of full or partial credit. Any returned part that shows evidence of being used or installed contrary to manufacturer's instructions, &/or subjected to improper handling, packaging or return shipping by the customer, will not be eligible for exchange, refund or warranty consideration. All returned electrical items will be inspected & tested. If electrical item is deemed functional, no credit will be issued & item will be returned. All sales are final on discontinued or closeout merchandise.

©2015 KURYAKYN HOLDINGS, LLC ALL RIGHTS RESERVED

KURYAKYN, KURYAKYN K logo and the marks appearing on this instruction sheet are registered and common law trademarks of Kuryakyn Holdings except noted third-party trademarks. A full listing of trademarks and trademark registrations owned by Kuryakyn Holdings can be found at www.kuryakyn.com/legal-notice.

Emissions Notice: The California Air Resources Board (CARB) does not permit the use of aftermarket emission-related parts(s) that alter the performance of OEM emission-related devices unless CARB has issued an Executive Order, other than on racing vehicles on closed courses. Check your local laws and manufacturer's information.

Listed Manufacturers and product model names are for reference only. All product and company names are trademarks or registered trademarks of their respective holders. Use of them does not imply any affiliation with or endorsement by them. All specifications are subject to change without notice.

For additional information on third-party product and company names, please consult our Web page at www.kuryakyn.com/legal-notice