



Custom Dynamics® Smart Triple Play® Installation Instructions

We thank you for purchasing the Custom Dynamics® Smart Triple Play®. Our products utilize the latest technology and high quality components to ensure you the most reliable service. We offer one of the best warranty programs in the industry and we back our products with excellent customer support, if you have questions before or during installation of this product please call Custom Dynamics® at 1(800) 382-1388.

Part Number: GEN-SMART-TPU-XL
(U.S. Patent # 8,588,997)

Package Contents:

- Smart Triple Play® Module (1)
- Instructions

Fits: 2004 - 2013 Harley-Davidson® Sportster® Models and 2010 Softail® Convertible. (Does Not Fit: XL1200N, XL1200X, XL1200V, XR1200, XR1200X, XL883N)



Installation:

1. Secure motorcycle on level surface. Remove seat. Disconnect negative battery cable from the battery. Locate and unplug the lighting connector to the rear fender.
2. Plug the Smart Triple Play® module, in-line, into the rear lighting harness and into the bike's wiring harness.
3. Re-connect the battery's negative battery cable to the negative of the battery.
4. Locate a secure place for the Smart Triple Play® unit that will not interfere with the secure placement of the seat or side cover. Secure with tie-wraps, tape or other means so that unit will not move.



Please read all warning Information below before Installation

Important: For this system to be legal you must use RED rear turn signal lamps.

Important: This system is designed to work with single intensity rear turn signals, if you do not have single intensity rear turn signals do not install this module. Contact Technical Support.

Important: Remove any existing Run-Brake-Turn or similar modules prior to installing this unit.

Important: A load equalizer or Signal Stabilizer™ is required for the Smart Triple Play® to function properly. The load equalizer MUST be installed on the input side of the Smart Triple Play® unit. NEVER install a load equalizer downstream of this unit. (See page 3)

Caution: Never install a trailer adapter, trailer harness or trailer controller downstream of this unit, a trailer adapter, harness or controller must be installed on the input side of this unit.

Important: Dial and switches should be maneuvered by hand only. Do not use any tool such as a screwdriver that could damage waterproof covers.

Caution: This unit is designed for a maximum load of 27 watts per channel. Do not exceed 27 watts per left turn signal output, 27 watts per right turn signal output, and 27 watts per brake signal output. Overloading unit could cause damage to the unit and cause the unit to malfunction.

Important: Module must be secured after installation. Find safe area away from any moving parts and out of the way of normal operation of the bike. Use Tie-wraps, tape, or other means to secure. Custom Dynamics® is not liable for damage to the module or the bike as a result of improperly securing the module.

Notice: Product is Not DOT approved.

Questions? Call us at: 1 (800) 382-1388 M-TH 8:30AM-5:30PM / FR 9:30AM-5:30PM EST

Installation Instructions - Page 2

Initial Setup & Operation:

5. Locate the two switches and rotary dial. Be sure the rotary dial is set to position 0. There is a small arrow on the dial, this is the pointer that should now be at position 0. Be sure Switch 1 and Switch 2 are both in the ON position. (See Diagram on next page)
6. Turn the ignition key on and check operation as follows:
 - Running Lights: Turn Signals and Taillight are now illuminated dimly.
 - Apply Right Turn Signal and check operation of right turn signal, should flash off to bright. Disable turn.
 - Apply Left Turn Signal and check operation of left turn signal, should flash off to bright. Disable turn.
 - Apply Brake Light. Check to see that all 3 lights flash 4 times then remain bright.
 - Apply Left Turn Signal then Apply Brake, Check to see that Only Center Light Flashes 4 times then remains bright.

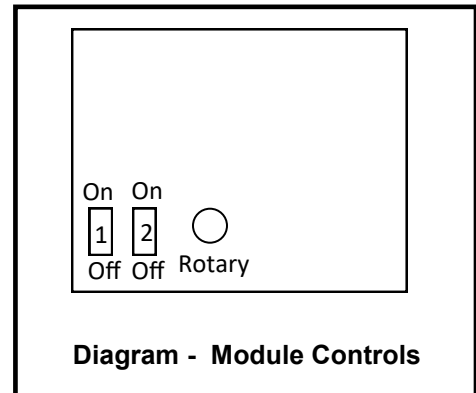


Diagram - Module Controls

Program Mode:

7. The Smart Triple Play ® allows you to program the running light brightness of the turn signals so they are a match to your center taillight. To enter the modules program mode:
 - Turn ignition key off, be sure Switch 1 and Switch 2 are in the OFF position and the Rotary Dial in in the 0 position.
 - Turn ignition key on, immediately turn Switch 2 On-Off-On. Turn Switch 1 On-Off-On. Do not depress Brake or Turns Signals during this action.
 - The turn signals should now fade up and down slowly, do not proceed unless this confirmation takes place.
 - Turn the rotary dial clockwise to increase the brightness of the running lights, 0-being the dimmest setting and 9-being the brightest. Match the running light brightness to the taillight. Once happy with the setting, press and hold the brake for a couple of seconds. The setting will now be saved.
8. Turn ignition key OFF and set switches for desired Operation.

Program Menu:

Switch Functions:

Switch 1 On, Switch 2 On: Strobes/Flashes on all three Rear Lights

Switch 1 On, Switch 2 Off: Strobes/Flashes on rear turn signals only

Switch 1 Off, Switch 2 On: Strobes/Flashes on center light only

Switch 1 Off, Switch 2 Off: No Strobes/Flashes

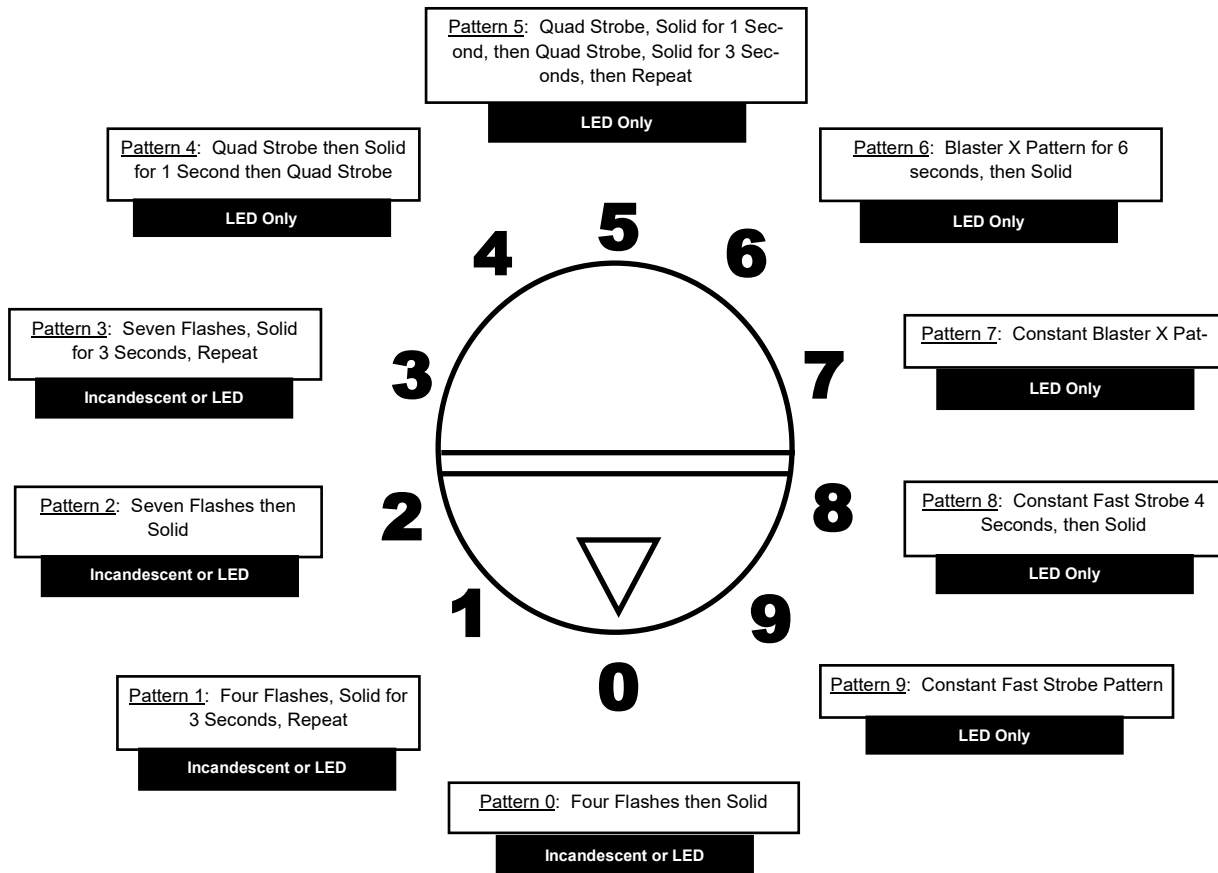
Dial Strobe Functions: (Note that Patterns 0-3 are compatible with incandescent bulbs) See Diagram on page 3.

Test & Finish:

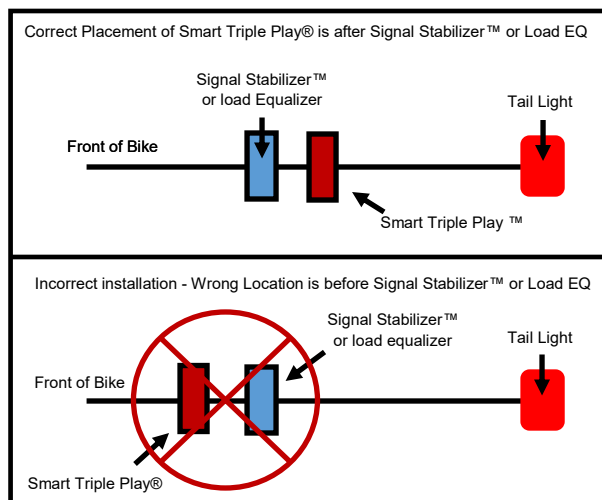
9. Turn ignition key on and Test Operation based on your desired switch settings. Once programming is complete, re-install the seat. Installation is complete.

Installation Instructions - Page 3

Flash Pattern Information:



Module Placement



Questions? Call us at: 1 (800) 382-1388 M-TH 8:30AM-5:30PM / FR 9:30AM-5:30PM EST