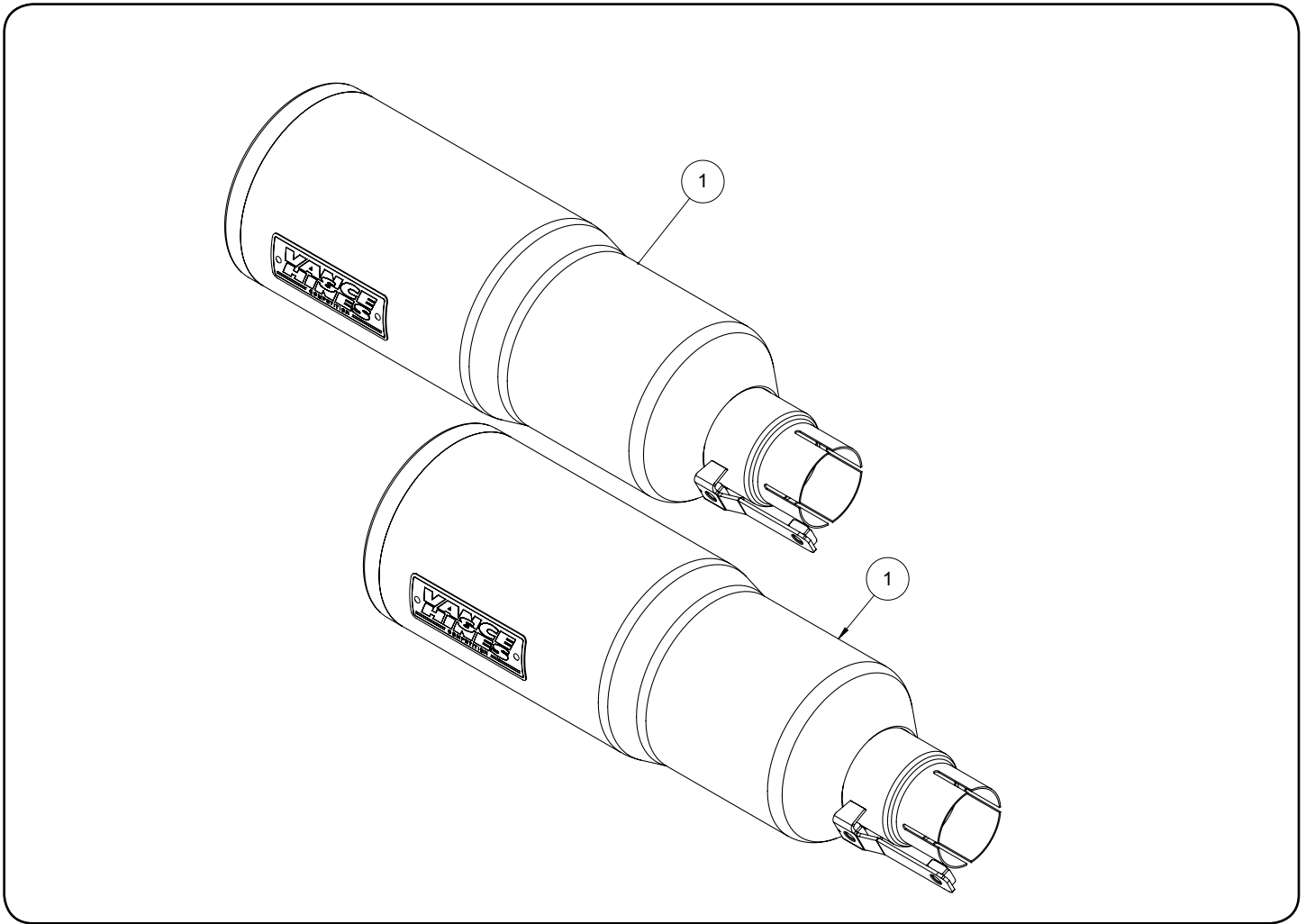


INSTALLATION INSTRUCTIONS: 2018 HARLEY-DAVIDSON SOFTAIL FAT BOB HI-OUTPUT SLIP-ONS PART# 46547

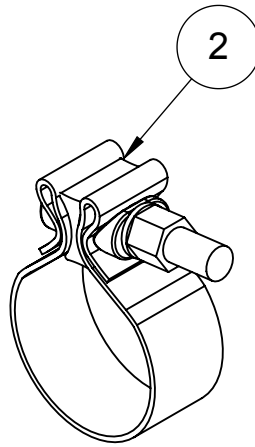
Congratulations, you have purchased the finest exhaust system available for your motorcycle. Your Vance & Hines exhaust is designed and crafted for performance, quality, and style. Please follow the instructions below, check exhaust system for missing or damaged parts and if you need any assistance please contact our technical support line (562) 921-7461.



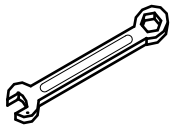
PARTS LIST

NO.	PART NO.	Description	Qty.
1	D645RP-S	Muffler	2
2	A335HW	Torca Band Clamp	2

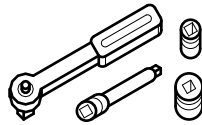
HARDWARE



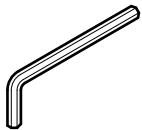
TOOLS REQUIRED



Combination Wrench:
9/16"



3/8" Drive Ratchet w/ 4" Extension
3/16" Allen, 9/16" Socket, T27 Torx



Allen Wrenches: 3/16"

STOCK EXHAUST SYSTEM REMOVAL

1. **OPTIONAL:** Head pipes may need to be loosened from cylinder head slightly in order for proper fitment during reinstallation.
2. Remove head pipe heat shield. Save hardware for re-use. (Figure 1)
3. Loosen the existing muffler clamps on the front of your stock mufflers.
4. Remove the four 1/4-20 bolts securing the mufflers to the stock muffler bracket. Save hardware for re-use.
5. Remove the stock mufflers by sliding them back off the stock headers. **NOTE:** Penetrating oil may be required to loosen muffler from head pipes.

VANCE & HINES EXHAUST INSTALLATION

1. Remove the mufflers from their protective packaging.
2. Install the Torca clamps (2) over the front and rear muffler inlets (1) so that the bolt is facing up for the rear muffler and the bolt is down for the front muffler. **NOTE:** Leave loose at this time.
3. Slide the mufflers onto the head pipes.
4. Align and attach the muffler body to the mounting bracket using the stock hardware. **NOTE:** Leave loose at this time.
5. Retighten head pipe if necessary.
6. Re-install header heat shield starting with the forward fasteners. (Figure 2)
7. Adjust mufflers to align the header heat shield and install rear fasteners.
8. Tighten bolts securing muffler to mounting bracket.
9. Tighten Torca clamps.
10. After installation and before starting the motorcycle, completely clean the pipes and the mufflers with warm, soapy water and a clean, soft cloth that will not leave a residue. **NOTE:** Any residue, oil, or fingerprints will stain the chrome when the metal heats up.
11. Be sure to tighten all the hardware before starting your motorcycle.
12. **IMPORTANT:** AFTER TEST RIDE, LET THE PIPES COOL DOWN AND RE-TORQUE TORCA CLAMPS.

EXHAUST CARE (BLACK)

- 1.** When installing a new set of black pipes, make sure your hands are clean and free from oil. After installation, thoroughly clean pipes with warm soapy water and a soft cloth. Dry with a clean towel remove any residue before starting the motorcycle. Do NOT use anything abrasive to clean pipes.
- 2.** Avoid long periods of idling as this can cause discoloration.
- 3.** Intake leaks can cause the engine to run lean and overheat, this could lead to discoloration.
- 4.** Make sure there are no exhaust leaks at the junction of the exhaust pipes and the cylinder head. We recommend replacing gaskets if they are worn.

FIGURE 1



Remove six fasteners attaching head shield to header and mufflers

FIGURE 2



Install two forward fasteners first attaching heat shield to header.

Emissions Notice:

In California, in order to meet Air Resources Board emissions requirements, certain aftermarket part applications have been identified as replacements, and others have received ARB Executive Orders. All other emissions related aftermarket parts are for competition use only. A list of replacement parts and EO parts, and corresponding fitment is provided at vanceandhines.com/California.

Warranty:

All Vance & Hines products are warranted against defects in material and workmanship for a period of 90 days. This warranty does not cover discoloration or rust. This warranty shall be limited to the repair or replacement of the product, which may be proven defective under normal use. Vance & Hines will not warranty any system that has been abused, misused, improperly installed or modified.

Dealers or distributors are not authorized to make dispositions binding upon Vance & Hines. Vance & Hines will not be responsible for any labor charges incurred in removing or replacing any system under warranty. A return authorization number and a copy of the original purchase invoice must accompany all returns. Parts returned without a return authorization may be refused.

13861 ROSECRANS AVENUE / SANTA FE SPRINGS, CA 90670
SALES: (562) 921-5388
TECHNICAL: (562) 926-5291
FAX: (562) 802-0110

vanceandhines
.com