



INSTALLATION

THROTTLE BODY SUPPORT

9929

PARTS INCLUDED

- 1 Throttle Body Support Bracket—Chrome
- 2 1/4"-20 X 11/16" Socket Head Cap Screws
- 1 Installation Instructions

Please read and understand entire instructions before starting installation.

THANK YOU FOR CHOOSING KÜRYAKYN!

IN ORDER TO PROTECT YOU AND OTHERS FROM POSSIBLE INJURY AND/OR PROPERTY DAMAGE OR LOSS, PLEASE PAY CLOSE ATTENTION TO ALL INSTRUCTIONS, WARNINGS, CAUTIONS AND ATTENTION NOTES REGARDING THE USE AND CARE OF THIS PRODUCT.

WARNING! THIS INDICATION ALERTS YOU TO THE FACT THAT IGNORING THE CONTENTS DESCRIBED HEREIN CAN RESULT IN POTENTIAL DEATH OR SERIOUS INJURY.

ATTENTION! This indication alerts you to the fact that ignoring the contents described herein may negatively affect product performance and functionality.

CAUTION! This indication alerts you to the fact that ignoring the contents described herein can result in potential injury or material damage.

TOOLS SUGGESTED

Set of Hex Wrenches, Set of Combination Wrenches

STRICTLY OBSERVE THE FOLLOWING GUIDELINES IN ORDER TO USE THE PRODUCT PROPERLY AND AVOID POTENTIALLY DANGEROUS ACCIDENTS.

STEP 1 Read and understand all steps in the instructions before starting the installation. Park the motorcycle on a hard, level surface and turn off the ignition.

NOTE: REPLACES H-D P/N 27712-08. FITS '08-UP ELECTRA GLIDES, ROAD GLIDES, STREET GLIDES & ROAD KINGS.

NOTE: CAN ALSO BE USED FOR CUSTOM AIR CLEANER APPLICATIONS ON '08-UP CVO TOURING MODELS & '11-UP CVO SOFTAIL MODELS.

WARNING! YOU WILL BE WORKING AROUND THE ENGINE AND EXHAUST SYSTEM DURING INSTALLATION. ENSURE THAT THE ENGINE AND EXHAUST SYSTEM HAVE FULLY COOLED TO PREVENT INJURY.

-cont.-

9929-21HD-1211



CUSTOMER SERVICE

877.370.3604 (toll free)

INSTALLATION QUESTIONS

techsupport@kuryakyn.com
or call 715.247.2983

LIMITED WARRANTY

Küryakyn warrants that any Küryakyn products sold hereunder, shall be free of defects in materials and workmanship for a period of one (1) year from the date of purchase by the consumer excepting the following provisions:

- Küryakyn shall have no obligation in the event the customer is unable to provide a receipt showing the date the customer purchased the product(s).
 - The product must be properly installed, maintained and operated under normal conditions.
 - Küryakyn makes no warranty, expressed or implied, with respect to any gold plated products.
 - Küryakyn shall not be liable for any consequential and incidental damages, including labor and paint, resulting from failure of a Küryakyn product, failure to deliver, delay in delivery, delivery in nonconforming condition, or for any breach of contract or duty between Küryakyn and a customer.
- Küryakyn products are often intended for use in specific applications. Küryakyn makes no warranty if a Küryakyn product is used in applications other than intended.
- Küryakyn electrical products are warranted for one (1) year from the date of purchase by the consumer. L.E.D.'S contained in components of Küryakyn products will be warranted for defects in materials and workmanship for 3 years from the date of purchase where as all other components shall be warranted for one(1) year. This includes, but is not limited to; control modules, wiring, chrome & other components.
- Küryakyn makes no warranty of any kind in regard to other manufacturer's products distributed by Küryakyn. Küryakyn will pass on all warranties made by the manufacturer and where possible, will expedite the claim on behalf of the customer, but ultimately, responsibility for disposition of the warranty claim lies with the manufacturer.

ABOUT OUR CATALOG

For purchasing Küryakyn® products, you can receive a complete catalog free of charge. Send the Proof-of-Purchase below with your address to: Küryakyn, P.O. Box 339, Somerset, WI 54025. Please indicate either Accessories Catalog for Harley-Davidson® or GL & Metric Cruisers.

Be sure to ask your local dealer about other Küryakyn® products, the motorcycle parts and accessories designed for riders by riders.

©2005 Küryakyn USA® All Rights reserved.



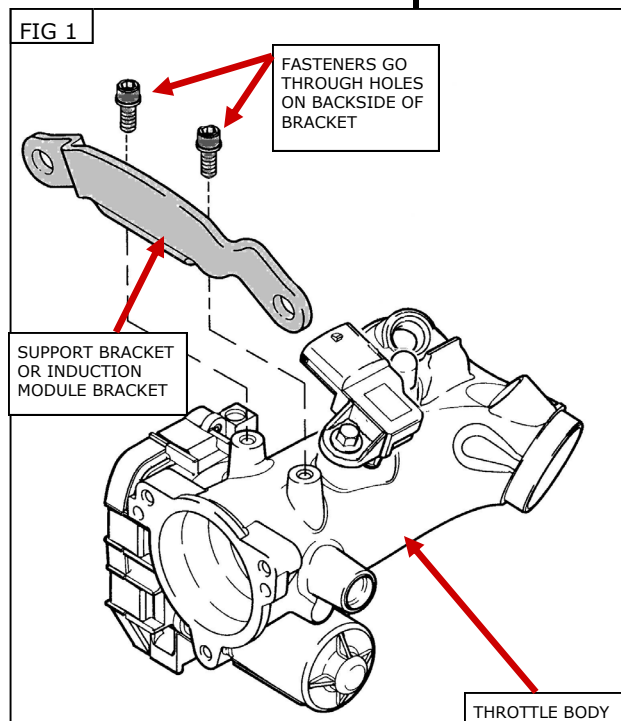
kuryakyn.com

ATTENTION! A factory service manual may be helpful in performing this installation. Do not attempt to perform this installation if you are not confident in your ability to complete all of the steps in the procedure; consult a trained technician.

STEP 2 Remove the air cleaner assembly, mounting hardware, breather bolts and hoses to gain access to the throttle body.

NOTE: Raising the rear of the fuel tank may be helpful for the following steps. Carefully disconnect the fuel line as outlined in the service manual. Remove the rear fuel tank fastener and loosen the front fuel tank fasteners, then raise the rear of the fuel tank and insert a block to hold it in position.

STEP 3 If replacing the OEM black support bracket, remove the two fasteners that attach the black bracket to the throttle body. On models equipped with an Induction Module Bracket (normally CVO models), remove the OEM fasteners that attach the bracket to the throttle body. Set aside, these will not be reused. FIG 1



CAUTION! Be aware of any cables/wires that could potentially be pinched or crushed while installing this product.

STEP 4 Attach the new Chrome Throttle Body Support bracket to the throttle body with the included 1/4"-20 X 11/16" Socket Head Cap Screws. Push the bracket in toward the motor and tighten securely. FIG 1

STEP 5 Reinstall the breather bolts through the large holes in the Chrome Throttle Body Support bracket. Tighten securely. FIG 1

STEP 6 Reinstall the air cleaner assembly and any mounting hardware and hoses removed in Step 2. Tighten securely. Reinstall the fuel tank mounting hardware and the fuel line. Tighten securely. Check the fuel lines carefully for leaks.

ATTENTION! It is the installer's responsibility to ensure that all of the fasteners (including pre-assembled) are tightened before operation of the motorcycle. Küryakyn will not issue a warranty on components lost due to improper installation. Periodic maintenance may be required.