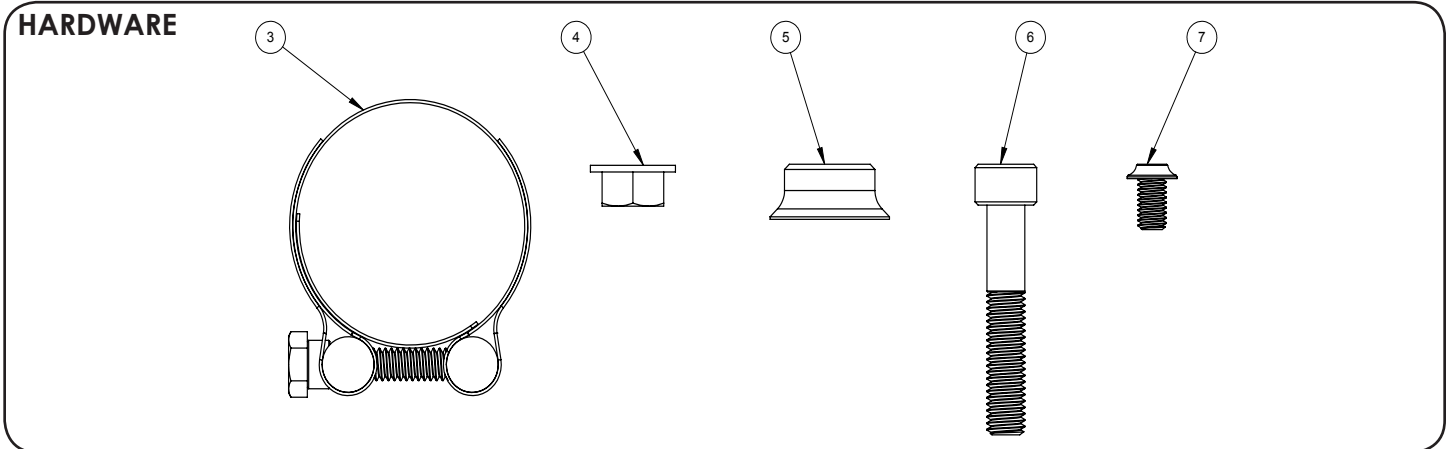
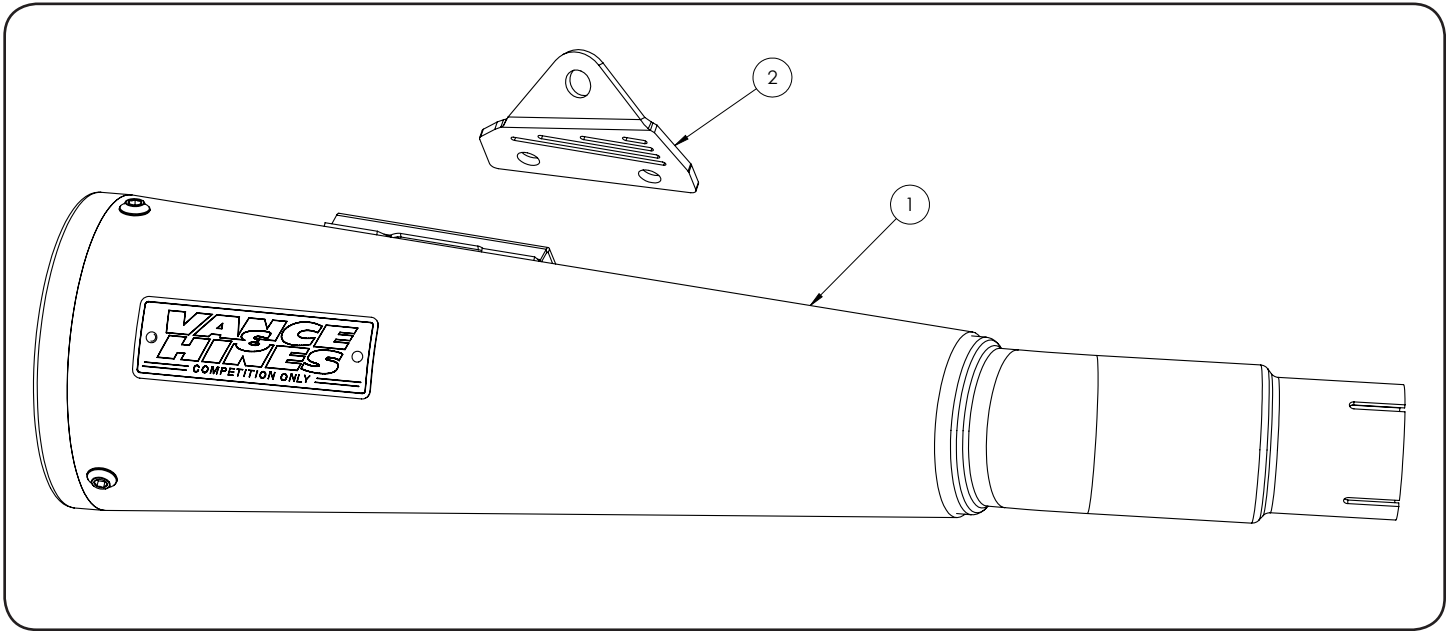


Congratulations, you have purchased the finest exhaust system available for your motorcycle. Your Vance & Hines exhaust is designed and crafted for performance, quality, and style. Please follow the instructions below, check exhaust system for missing or damaged parts and if you need any assistance please contact our technical support line (562) 921-7461.

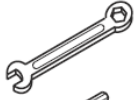
FOR CLOSED COURSE COMPETITION USE ONLY. NOT INTENDED FOR STREET USE.



PARTS LIST

ITEM NO.	PART NO.	DESCRIPTION	QTY.
1	H635RP	HON REBEL MUFFLER W/BADGE	1
2	1112-P	MOUNT BRACKET	1
3	A328HW-B	BLK 1.81-1.99IN BARREL BAND CL	1
4	A852HW	M8 X 1.25MM SER FLNG NUT BLK	1
5	A746ST-P	FRONT SPACER BLACK	1
6	A913HW	M8 X 1.25 - 45MM SHCS ZINC	1
7	A544HW	SCREW M6X1X10MM BHCS	2

TOOLS REQUIRED



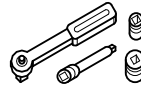
12mm combination wrench



4mm Allen wrench



6mm Allen wrench



12mm socket



10mm socket

3/8" Drive Ratchet

STOCK SYSTEM REMOVAL

1. Loosen the clamp at the front of the muffler.
2. Remove the bolt that attaches the muffler to the stock mounting bracket.
3. Remove the muffler assembly from the vehicle and remove the stock gasket from the head pipe.

VANCE & HINES SYSTEM INSTALLATION

1. Install supplied M8x1.25x45mm SHCS and spacer in stock muffler mounting bracket. (Fig. 1)
2. Loosely install 1112-P bracket to muffler using two M6x1x10mm BHCS.
3. Slide provided barrel clamp over new V&H muffler, slip muffler onto stock mid-pipe. (Leave clamp loose). Make sure that barrel clamp bolt is accessible from bottom.
4. Line up muffler bracket to the inside of the muffler mounting bracket and install supplied M8x1.25 flange nut finger tight. (Fig. 1)
5. Tighten M8 muffler bracket mounting bolt to nut.
6. Tighten M6 muffler bolts.
7. Align muffler and rotate barrel clamp to be as out of sight as possible, align with leading edge of muffler and tighten.
8. Be sure all hardware is tight. Before starting the motorcycle, completely clean tail pipes and mufflers with warm soapy water and a clean soft cloth that will not leave residue. Dry with a clean towel. NOTE: Any residue, oil, or fingerprints will stain the finish when the exhaust system heats up. Do NOT use anything abrasive to clean black mufflers as it may remove the finish.

EXHAUST CARE (BLACK)

1. When installing a new set of black pipes, make sure your hands are clean and free from oil. After installation, thoroughly clean pipes with warm soapy water and a soft cloth. Dry with a clean towel remove any residue before starting the motorcycle. Do NOT use anything abrasive to clean pipes.
2. Avoid long periods of idling as this can cause discoloration.
3. Intake leaks can cause the engine to run lean and overheat, this could lead to discoloration.
4. Make sure there are no exhaust leaks at the junction of the exhaust pipes and the cylinder head. We recommend replacing gaskets if they are worn.

FIGURE 1

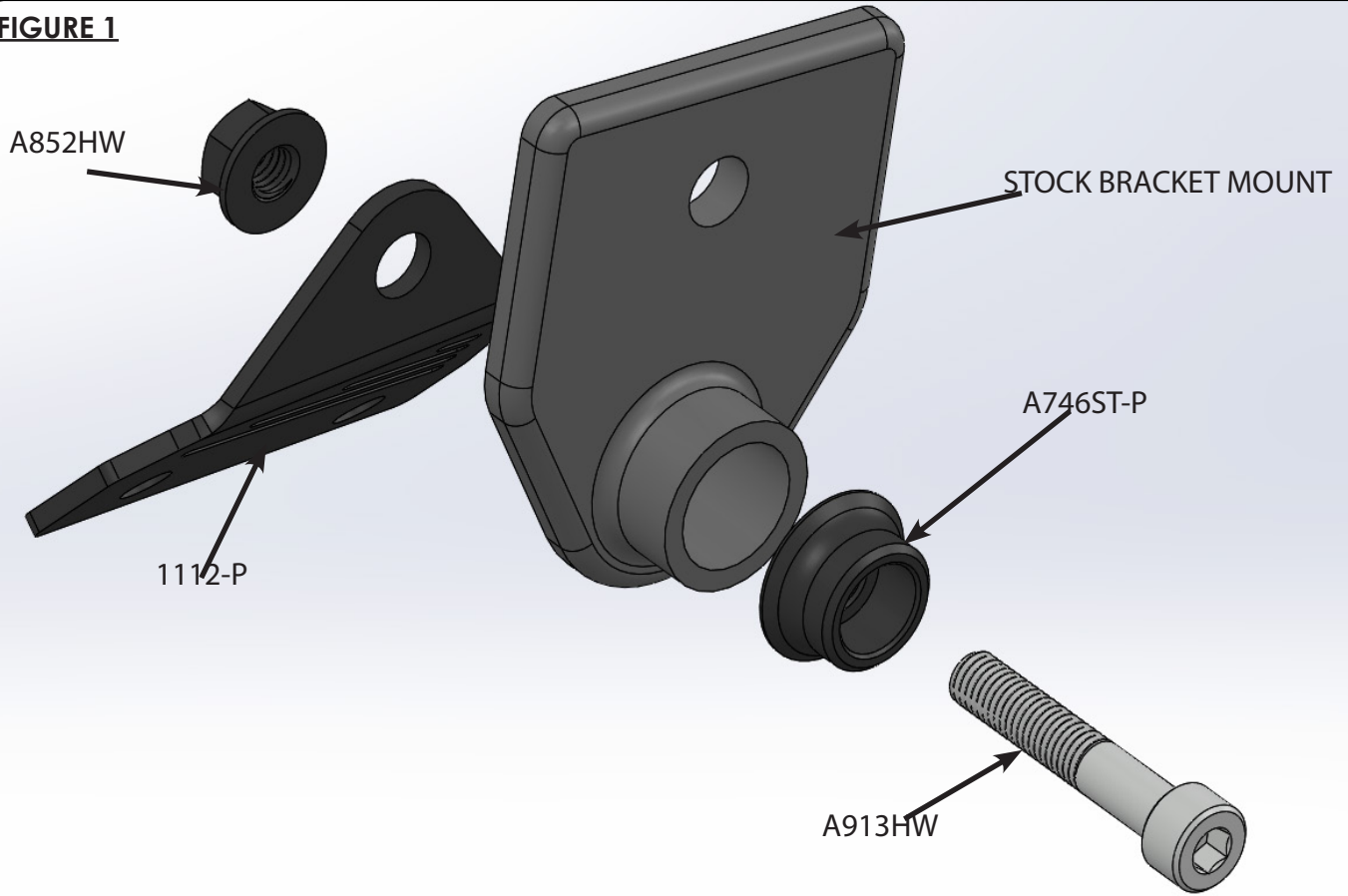


FIGURE 2



Emissions Notice:

In California, in order to meet Air Resources Board emissions requirements, certain aftermarket part applications have been identified as replacements, and others have received ARB Executive Orders. All other emissions related aftermarket parts are for competition use only. A list of replacement parts and EO parts, and corresponding fitment is provided at vanceandhines.com/California.

Warranty:

All Vance & Hines products are warranted against defects in material and workmanship for a period of 90 days. This warranty does not cover discoloration or rust. This warranty shall be limited to the repair or replacement of the product, which may be proven defective under normal use. Vance & Hines will not warranty any system that has been abused, misused, improperly installed or modified.

Dealers or distributors are not authorized to make dispositions binding upon Vance & Hines. Vance & Hines will not be responsible for any labor charges incurred in removing or replacing any system under warranty. A return authorization number and a copy of the original purchase invoice must accompany all returns. Parts returned without a return authorization may be refused.

13861 ROSECRANS AVENUE / SANTA FE SPRINGS, CA 90670
SALES: (562) 921-5388
TECHNICAL: (562) 926-5291
FAX: (562) 802-0110

vanceandhines
.com