

CHROME MACH 2 AIR CLEANER

9871

Thank You For Choosing Kuryakyn!

Protect yourself and others from potential injury and property damage or loss. Pay close attention to all instructions, warnings, cautions, and notices regarding the installation, use, and care of this product.

WARNING

THIS INDICATION ALERTS YOU TO THE FACT THAT IGNORING THE CONTENTS DESCRIBED HEREIN CAN RESULT IN POTENTIAL DEATH OR SERIOUS INJURY.

NOTICE

This indication alerts you to the fact that ignoring the contents described herein may negatively affect product performance and functionality or damage the product itself or the product to which it is being attached.

THIS PRODUCT IS NOT LEGAL FOR SALE OR USE ON POLLUTION CONTROLLED VEHICLES.

ENSURE THAT THE FOLLOWING PARTS HAVE BEEN INCLUDED IN THE KIT:

- 1 Mach 2 Air Cleaner
- 1 Hardware Kit
 - 5 1/4"-20 x 3/4" Socket Head Cap Screws
 - 3 1/4"-20 x 1" Socket Head Cap Screws—NOT USED
 - 3 1/4"-20 x 1 1/4" Socket Head Cap Screws
- 1 Air Lock Ring
- 2 1/8" Straight Fitting
- 1 Kuryakyn Emblem
- 1 Zombie Emblem
- 1 Mach 2 Ring Adapter
- 1 Dual Velocity Ring
- 1 Filter Element
- 2 Breather Bolts
- 2 Breather Hoses
- 1 Installation Instructions

YOU WILL ALSO NEED:

Set of Hex Wrenches, Set of Combination Wrenches

NOTICE

These installation instructions contain important information. Ensure that the end user receives this copy and is aware of its importance for future use.

WARNING

THE END USER'S SAFETY DEPENDS UPON PROPER INSTALLATION OF THIS PRODUCT. IF A STEP IN THESE INSTRUCTIONS IS NOT WITHIN YOUR CAPABILITIES OR YOU DO NOT HAVE THE CORRECT TOOLS, HAVE YOUR DEALER PERFORM THE PROCEDURE. IMPROPER INSTALLATION OF THIS PRODUCT COULD RESULT IN DEATH OR SERIOUS INJURY.

ACCIDENTAL VEHICLE START-UP COULD CAUSE DEATH OR SERIOUS INJURY, REMOVE THE MAIN FUSE BEFORE PROCEEDING.

WARNING

WORKING AROUND THE SHARP EDGES OF THE CYLINDER-HEAD FINS EXPOSES YOUR HANDS TO INJURY. WEAR PROTECTIVE GLOVES TO PREVENT SERIOUS INJURY.

⚠ WARNING

INSTALLATION MAY REQUIRE CONTACT WITH THE ENGINE AND EXHAUST SYSTEM; ENSURE THAT IT HAS FULLY COOLED BEFORE BEGINNING TO PREVENT INJURY.

STEP 1 Read and understand all steps in the instructions before starting the installation. Park the motorcycle on a hard, level surface and turn **IGN OFF**. Allow the engine and exhaust system to cool. Remove the main fuse.

STEP 2 Prepare a soft, sturdy work surface within arm's reach of the motorcycle.

STEP 3 Remove the existing air cleaner assembly; set it aside, it will not be reused. Carefully remove any remaining gasket material from the throttle body flange.

STEP 4 Refer to **PIC 1**. Locate the included Breather Bolts; thread them into the cylinder heads. Tighten the Breather Bolts.

STEP 5 Locate the two (2) included 1/8" Straight Fittings and Backing Plate. Thread the Fittings into the Backing Plate as shown in **PIC 2**.

Connect the included Breather Hoses to the Fittings.

STEP 6 Locate the three (3) included 1/4"-20 X 1-1/4" Socket Head Cap Screws and set them within arm's reach of the work area.

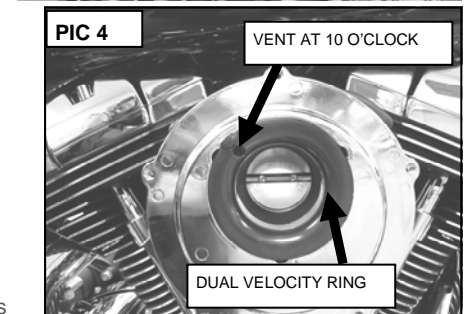
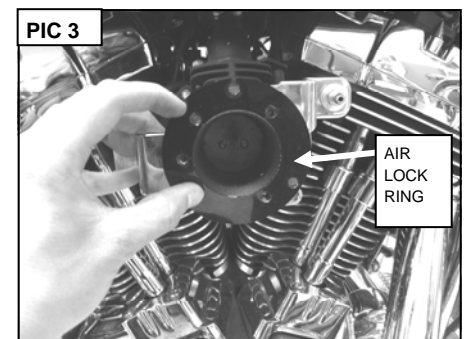
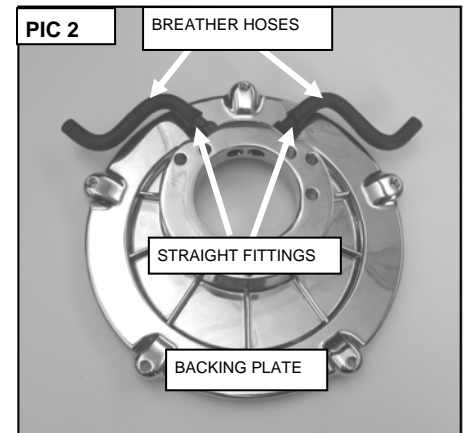
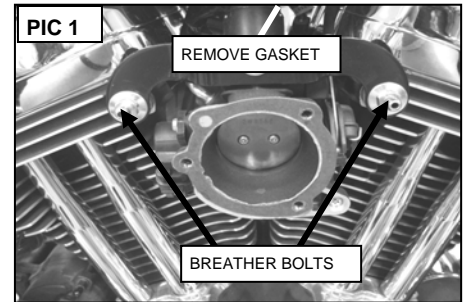
Refer to **PIC 3**. Locate the included Air Lock Ring; align it with the throttle body flange as shown in **PIC 3**;

Sandwich the Ring against the flange with the Backing Plate assembly.

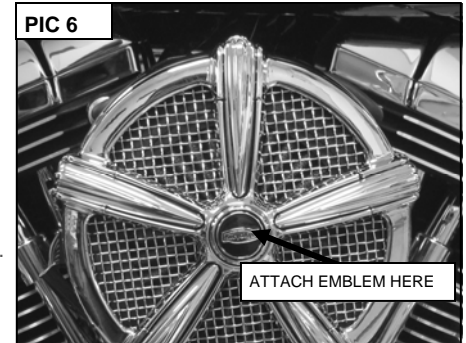
STEP 7 Align the holes and secure the Backing Plate to the throttle body with the three Screws from **STEP 6**. Tighten the three Screws.

STEP 8 Refer to **PIC 4**. Locate the included Dual Velocity Ring.

Position the vent hole at 10 o'clock and press the Ring into place. Ensure that the ring is pressed in flush with the Backing Plate; it should "snap" into place.

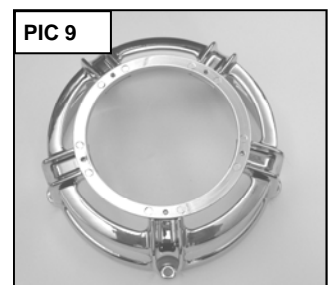
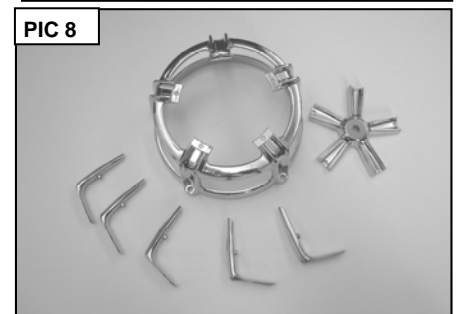
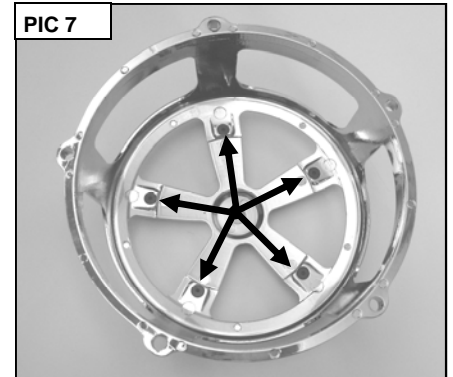


- STEP 9** Refer to **PIC 5**. Connect the Breather Hoses to the Breather Bolts.
- STEP 10** Locate the included Mach 2 Air Cleaner Cover, Filter Element and five (5) 1/4"-20 x 3/4" Socket Head Cap Screws; set it all within arm's reach of the work area.
- Install the Filter Element over the Backing Plate.
- STEP 11** Refer to **PIC 6**. Secure the Cover to the Backing Plate using the 3/4" Screws.
- Tighten the five (5) screws in an alternating pattern.
- STEP 12** Reinstall the main fuse. Double check all hose connections. Rotate the throttle open; ensure it returns correctly before starting the motorcycle.
- STEP 13** Refer to the **NOTICE** below. Refer to **PIC 6**. Ensure that the center section of the Cover is clean and free of grease, oil, and debris. Locate the desired Emblem. Rub the adhesive backing to activate the adhesive. Remove and discard the adhesive backing. Align the Emblem and press it into place for at least 60 seconds. Full bond will occur after 24 hours.



MACH 2 WITH MEDALLION:

- STEP 14** Follow **STEPS 1 through 9**.
- STEP 15** Refer to **PIC 7**. Remove the screen; set it aside for now. Remove the five (5) small screws from the backside of the Mach 2 Cover; the screws are very small, do not lose them.
- Refer to **PIC 8**. Remove the center star section and the five (5) "L" shaped inserts.
- STEP 16** As shown in **PIC 9**, Align the Mach 2 Ring Adapter with the front side of the Cover; secure using the five (5) small screws from the backside.
- STEP 17** Install the screen inside the Mach 2 Cover; place the cover over the Filter Element.
- STEP 18** Align the cover with the Backing Plate; secure using the five (5) included 1/4"-20 x 3/4" Socket Head Cap Screws. Tighten the five (5) screws in an alternating pattern.



NOTICE

Ensure proper adhesion of this product. Remove all grease, oil, bugs, dirt, and other debris (including wax and polish) from the installation area. Kuryakyn will not provide warranty coverage on products or components lost or damaged due to improper installation.

Do not attempt this installation in temperatures below 50°F (10°C). Proper adhesive bonding **ONLY** occurs above 50°F (10°C).



- STEP 19** Using soap and water, clean the installation area. Allow to dry. Wipe the area with an ammonia-based cleaner and allow it to dry completely
- STEP 20** Remove and discard the adhesive backing from the medallion. Position the medallion as desired; press and hold in place on the Ring Adapter for one minute. Full bonding strength will occur in 24 hours.

Proper tuning is important. Fuel injected bikes should be tuned with a TTS MasterTune tuning system (calibrations available at www.kuryakyn.com) or Vance & Hines FP3 (calibrations available at <http://fp3.vanceandhines.com/download>) by an experienced tuner, on a dyno, with an exhaust gas analyzer.

NOTICE

Follow K&N recommendations for proper use and cleaning of the air filter element.
K&N Filter Care Kit (p/n 85 available at kuryakyn.com)

NOTICE

It is the end user's responsibility to ensure that all fasteners (including pre-assembled) are tightened before operation of the motorcycle. Kuryakyn will not provide warranty coverage on products or components lost or damaged due to improper installation or lack of maintenance. Periodic inspection and maintenance are required on all fasteners.

LIMITED WARRANTY

Kuryakyn warrants that any Kuryakyn products sold hereunder, shall be free of defects in materials & workmanship for a period of one (1) year from the date of purchase by the consumer excepting the following provisions:

1. Kuryakyn shall have no obligation in the event the customer is unable to provide a receipt showing the date the customer purchased the product(s).
2. The product must be properly installed, maintained & operated under normal conditions.
3. Kuryakyn shall not be liable for any consequential & incidental damages, including labor & paint, resulting from failure of a Kuryakyn product, failure to deliver, delay in delivery, delivery in nonconforming condition, or for any breach of contract or duty between Kuryakyn & a customer.
4. Kuryakyn products are often intended for use in specific applications. Kuryakyn makes no warranty if a Kuryakyn product is used in applications other than intended.
5. Kuryakyn electrical products are warranted for one (1) year from the date of purchase by the consumer. L.E.D.'s contained in components of Kuryakyn products will be warranted for defects in materials & workmanship for 3 years from the date of purchase whereas all other components shall be warranted for one (1) year.
6. Merchandise purchased directly from Internet auction sites or any other third party seller is considered sold as is & shall not carry a Kuryakyn warranty. All warranty claims must be directed to the original seller. If unsure please contact the seller to verify they are an authorized Kuryakyn retailer.

RETURN POLICY

Merchandise determined to be defective may be returned up to one year from the date of purchase. Returns must be processed through original seller. Returned merchandise for any other reason other than warranty claims must be in like new condition & subject to a 20% restocking fee. All returns are subject to inspection for determination of full or partial credit. Any returned part that shows evidence of being used or installed contrary to manufacturer's instructions, &/or subjected to improper handling, packaging or return shipping by the customer, will not be eligible for exchange, refund or warranty consideration. All returned electrical items will be inspected & tested. If electrical item is deemed functional, no credit will be issued & item will be returned. All sales are final on discontinued or closeout merchandise.

EMISSIONS NOTICE

The California Air Resources Board (CARB) does not permit the use of aftermarket emission-related parts(s) that alter the performance of OEM emission-related devices unless CARB has issued an Executive Order, other than on racing vehicles on closed courses. Check your local laws and manufacturer's information.